

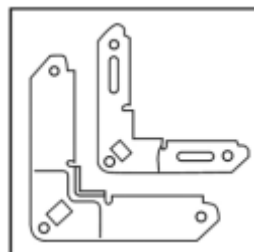
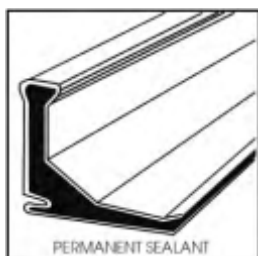


Flange

Total duct Flange system

Ductlok Flange

A roll formed galvanized steel angle incorporating a permanent non-hardening sealant, which guarantees a dependable air tight connection - eliminates the need for post installation sealing of the duct.

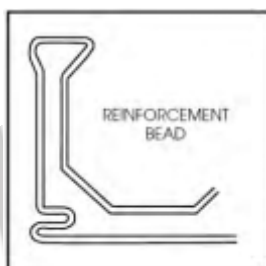


Corner Piece

The Ductlok corner piece is ribbed and edged flanged for extra rigidity and features an embossed dimple ensuring an extra tight corner joint. The bolt hole is suitable for carriage type or normal bolt corners, available in 2 sizes: Junior and Senior.

Reinforcement Bead

The unique DUCTLOK REFORCEMENT bead makes the flange stronger than conventional flanges, thereby reducing the necessity for many different gauges of flange profiles. DUCTLOK produces only 2 sizes to cover all applications:
 DUCTLOK JUNIOR
 25mm x 0.8mm
 DUCTLOK SENIOR
 35mm x 1.00mm

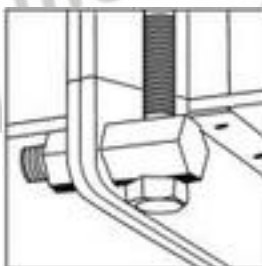
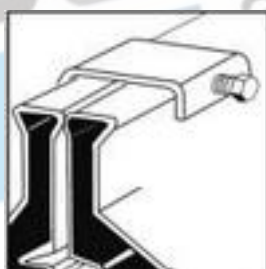


Gasket Tape

A Butyl rubber sealant strip for insertion between Ductlok flanges. Easily installed. The tape is water, heat and UV resistant.

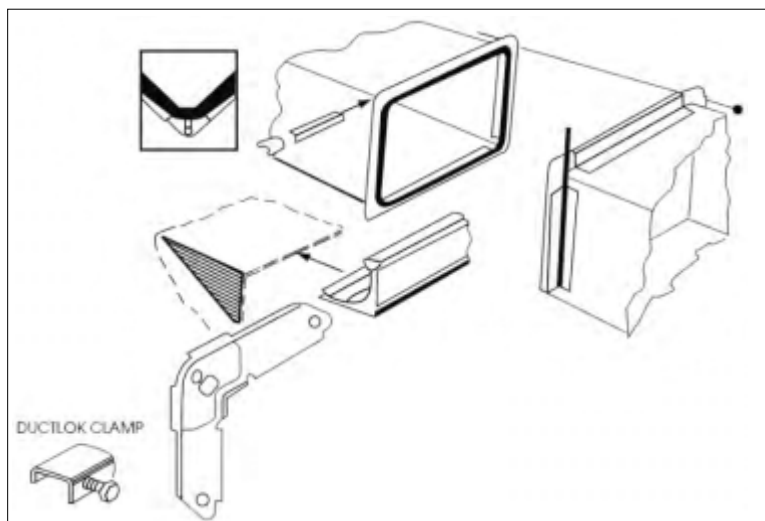
Joining Clamp

Ductlok Bolt-on flange clamp for clamping of duct flange joints.



Hanger Bolt

The Ductlok Hanger Bolt is a new concept in reducing your duct hanging costs. When fitted to the Ductlok corner piece in place of a normal or carriage bolt, a length of threaded duct hanging rod can be fitted through the hanger bolt, thus permitting the duct hanger to be fixed to the corner piece.



Code	Ductlok	Qty (m)
1510025	Junior Flange (25mm)	5
1510035	Senior Flange	5
1520025	Junior Flange	100
1520035	Senior Corner	100
1530200	Ductlok Clamp	100
1530320	Gasketing (5mm)	10
1530306	Eurostick Gasket (6mm)	60
1532900	Ductlok Hanger Bolt	10
502012	Bar Cleat (re-inforced)	2400mm
502047	Drive Cleat	2400mm
503055	S Cleat	2400mm