



# DIFFUSERS

## Steel / Sunline

### Steel

- Steel constant volume diffusers are easy to install, aesthetically pleasing design with efficient radial air distribution.
- Manufactured from steel and powdered coated.

- Available in neck sizes 150mm to 350mm, compatible with AME flexible ducting and sound attenuators.

A - (Ø) mm	Code
150	150
175	175
200	200
250	250
300	300
350	350

#### Milano Range



Square Standard 595mm<sup>2</sup>



495mm<sup>2</sup> profile available on request

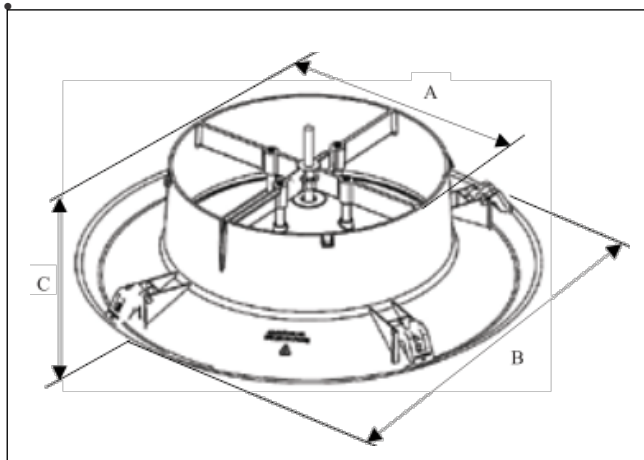
### Sunline

#### Features

- Available in 3 different sizes: 200 dia, 250 dia and 300 dia
- Stylish design
- Easily adjusted diffuser opening
- Low cost
- Lightweight rigid construction
- Easy to clean
- Scratch resistant surface
- Quiet
- Snap action clips for fast and easy installation
- Tapered neck for easy duct connection

#### Optional extras

Available in motorised/remote controlled option.



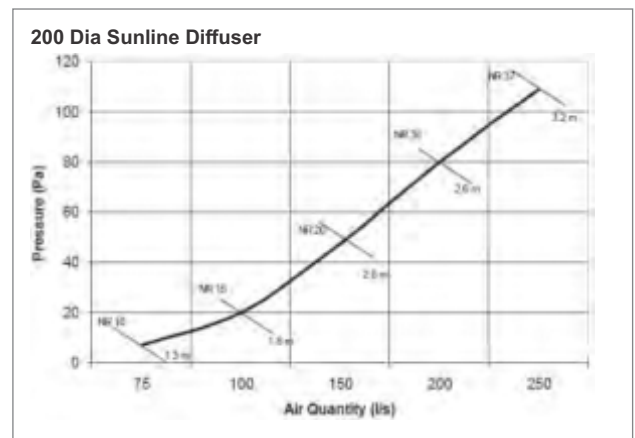
#### Constructic

- These outlets are injection moulded from white ABS plastic and have integrated spring loaded clips.

#### Applications

- Ideal for residential and commercial reverse cycle air-conditioning, heating and ventilation applications.

#### Performance



#### Dimensions

Grille Size	A Nominal	B Flange Size (mm)	C Height (mm)	Hole Diameter (mm)
200	200	364	114	314
250	250	413	114	364
300	300	464	114	414